

# INSTALLATION INSTRUCTIONS

For P1437-66A-L

**WARNING! SHUT POWER OFF AT FUSE OR CIRCUIT BREAKER.**

**AVERTISSEMENT! COUPER LE COURANT AU NIVEAU DES FUSIBLES OU DU DISJONCTEUR.**

## MOUNTING THE FIXTURE (Fig. 1)

1. Shut off power at the fuse box or circuit breaker box. If necessary remove the existing fixture and its mounting hardware.
2. Carefully remove the new fixture from the carton and check that all parts are included as shown in the illustration.
3. Attach the mounting plate (B) to the junction box (not included) using outlet box screws (E) (Size: #8-32\*1/2"L). The side of the mounting plate marked "GND" must face out.

## CONNECTION THE WIRES (Fig. 2)

4. At this point, connect the electrical wires as shown in Fig. 2, making sure that all wire connectors are secured. If your outlet has a ground wire (green or bare copper), connect the fixture's ground wire to it. Otherwise, connect the fixture's ground wire directly to the mounting plate using the green screw (F) provided. After the wires are connected, tuck them carefully into the junction box.

## FINISHING THE INSTALLATION (Fig. 3)

5. Align Fixture (G) to the mounting plate (B) and secure with mounting screws (D).
- Your installation is now complete. Return power to the junction box and test the fixture.

**CAUTION / ATTENTION:** When handling the fixture, do not apply pressure to the LEDs. Hold the fixture by the base or fixture body only.

Dimmable with ELV and/or LED compatible wall dimmer switch.

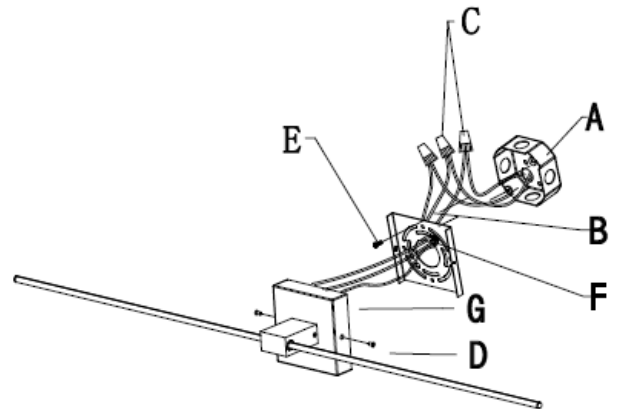
**IMPORTANT:** Fixture should be installed by a qualified electrician to ensure proper wiring and installation.

**Fig. 1**

**Mounting Plate Set #:**

**A-021-115113 for P1437-66A-L**

- Mounting plate(B)
- Ground screw (F)
- Outlet box screw\*2 (E)



**Fig. 2**

